



BXUV.U382 Fire Resistance Ratings - ANSI/UL 263

Page Bottom

Design/System/Construction/Assembly Usage Disclaimer

- Authorities Having Jurisdiction should be consulted in all cases as to the particular requirements covering the installation and use of UL Listed or Classified products, equipment, system, devices, and materials.
- Authorities Having Jurisdiction should be consulted before construction.
- Fire resistance assemblies and products are developed by the design submitter and have been investigated by UL for compliance with applicable requirements. The published information cannot always address every construction nuance encountered in the field.
- When field issues arise, it is recommended the first contact for assistance be the technical service staff provided by the product manufacturer noted for the design. Users of fire resistance assemblies are advised to consult the general Guide Information for each product category and each group of assemblies. The Guide Information includes specifics concerning alternate materials and alternate methods of construction.
- Only products which bear UL's Mark are considered as Classified, Listed, or Recognized.

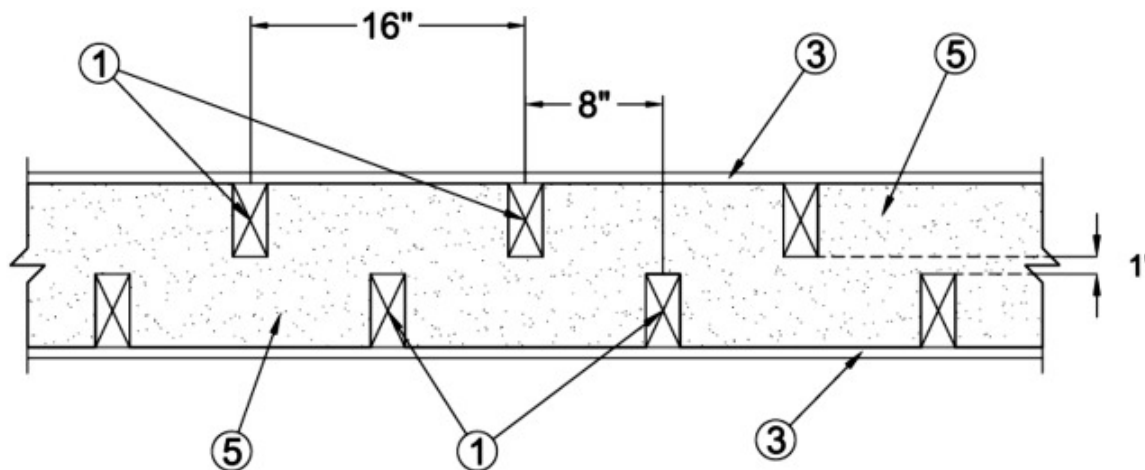
Fire Resistance Ratings - ANSI/UL 263

[See General Information for Fire Resistance Ratings - ANSI/UL 263](#)

Design No. U382

May 22, 2008

Bearing wall rating — 2-1/2 Hr or 3 Hr (See item 3A)



1. **Wood Studs** — Double row of nominal 2 x 4 in. studs, spaced 16 in. OC and cross-braced at mid-height. Opposite rows spaced 1 in. apart, staggered 8 in. OC and joined at the top and bottom with bearing plates.

2. **Bearing Plates** — (not shown) Nominal 2 x 4 in. Two layers on top and one layer on bottom for each row of studs.

3. **Wallboard, Gypsum*** — One layer of 4 ft wide, 5/8 in. thick gypsum wallboard applied vertically and nailed to studs and bearing plates 7 in. OC with 6d cement coated nails, 1-7/8 in. long, 0.0915 in. shank diameter and 1/4 in. diameter head. Gypsum wallboard joints centered over studs.

UNITED STATES GYPSUM CO — Type C

3A. **Wallboard, Gypsum*** — Two layers of 5/8 inch thick, 4 ft wide gypsum wallboard applied vertically, with the first layer of gypsum board attached with 6d cement coated nails spaced 10 in. OC., and the second layer of gypsum board

attached with 8d nails spaced 7 in. OC. Vertical joints between 1st and 2nd layer of wallboard are to be staggered.

UNITED STATES GYPSUM CO — Type C

4. **Joints and Screwheads** — (Not shown) — Wallboard joints taped and both joints and nailheads covered with joint compound.

5. **Fiber, Sprayed*** — Green Colored Spray applied cellulose material. The fiber is applied with water to completely fill the enclosed 8 in. cavity in accordance with the application instructions supplied with the product. The minimum dry density is 4.58 lbs/ft³.

NU-WOOL CO INC — Wallseal Fire and Sound Insulation

6. **Mesh Netting** — (Not shown) - Any thin, woven or non-woven fibrous netting material attached with staples to the outer face of one row of studs to facilitate the installation of the sprayed fiber from the opposite row.

*Bearing the UL Classification Mark

Last Updated on 2008-05-22

[Questions?](#)

[Notice of Disclaimer](#)

[Page Top](#)

Copyright © 2008 Underwriters Laboratories Inc.®

The appearance of a company's name or product in this database does not in itself assure that products so identified have been manufactured under UL's Follow-Up Service. Only those products bearing the UL Mark should be considered to be Listed and covered under UL's Follow-Up Service. Always look for the Mark on the product.

UL permits the reproduction of the material contained in the Online Certification Directory subject to the following conditions: 1. The Guide Information, Designs and/or Listings (files) must be presented in their entirety and in a non-misleading manner, without any manipulation of the data (or drawings). 2. The statement "Reprinted from the Online Certifications Directory with permission from Underwriters Laboratories Inc." must appear adjacent to the extracted material. In addition, the reprinted material must include a copyright notice in the following format: "Copyright © 2008 Underwriters Laboratories Inc.®"

An independent organization working for a safer world with integrity, precision and knowledge.

